

# UD R-16C Electrodynamics Vibration Table

PowerTech's UD R-16C vibration table provides reliable performance for medium and high force applications along three axes. The armature provides maximum stiffness and minimum weight, resulting in a high acceleration to specimen weight ratio and impressive frequency performance. The table can be placed inside and environmental chamber for combined vibration and temperature testing (HALT & HASS).

## MANUFACTURER INFO:

- **Make:** Unholtz-Dickie
- **Shaker Model:** R-16C-3/ST
- **Amplifier Model:** SAI-90

## DATA ACQUISITION & CONTROL:

- Spider 81 and 80X 8-channel vibration controllers and EDM software

## VIBRATION PERFORMANCE:

- **Max Force (Random & Sine):** 106 kN (24 kips)
- **Max Force (Shock):** R-16C-3/ST
- **Frequency Range:** 5 – 2000 Hz
- **Max Free Table Acceleration:** 118 g or 1160 m/s<sup>2</sup> (3800 ft/s<sup>2</sup>)
- **Shaker Stroke:** 76 mm (3 in)
- **Max Load:** 680 kg (1500 lbs)

In practice, maximum force, frequency, acceleration, and load are interdependent and influenced by test setup. Contact PowerTech for information relevant to your application.

## DIMENSIONS:

- **Armature:**  $\phi 445$  mm (17.5 in)
- **Slip Table:** 1080 mm x 914 mm (42.5 in x 36 in) L x W
- **Head Expander:** 914 mm x 914 mm (36 in x 36 in) L x W

Bolt patterns are appended at the end of this document. Typical pattern is 1/2-13 UNC threaded holes spaced 102 mm (4 in).

## TYPICAL TESTS:

- Sine wave and random vibration
- Resonance frequency search & dwells

Equipment performance is not guaranteed as reported. Contact your PowerTech representative for project-specific information.

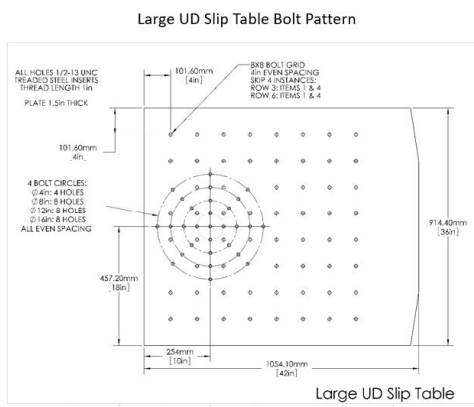
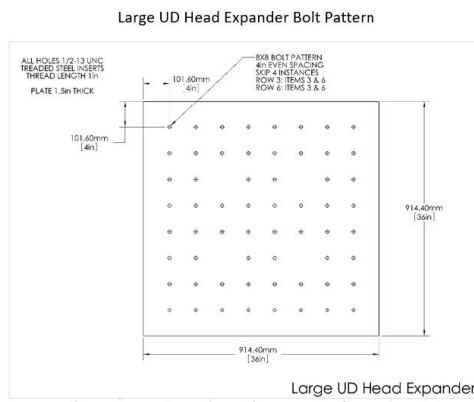
## FOR MORE INFORMATION CONTACT:

**Meaghan Ormrod - 604.590.7448**  
 Project Engineer, Mechanical Services  
 T&D Technology & Testing  
 meaghan.ormrod@powertechlabs.com

- Shock: classical, half-sine, saw-tooth wave forms, SRS
- Combined vibration & environmental (HALT & HASS)
- Accelerated life testing
- Transportation testing
- Stress screening

## TESTING CODES AND STANDARDS:

ASCE 25-06, DNV 2.4, IEC 60068, IEEE 664, IEEE 693, MIL-STD 810H, SAE J1455, UL2267, UN38.3



## ABOUT POWERTECH LABS:

PowerTech Labs Inc. is one of the largest testing and research laboratories in North America, situated in beautiful British Columbia, Canada. Our 11-acre facility offers 15 different testing labs for a one-stop-shop approach to managing electrical utilities, and testing gas components, pressure vessels and systems.

Outside of the utilities industry, PowerTech provides routine testing capabilities, product development, research and consulting services to support an array of industrial-type operations, electrical equipment manufacturers and automotive original equipment manufacturers.

[www.powertechlabs.com](http://www.powertechlabs.com)



**Sara Tahermaram - 604.590.6661**  
 Manager, Mechanical Services  
 T&D Technology & Testing  
 sara.tahermaram@powertechlabs.com